

CLIA

CLIA

®

BATHROOM FITTINGS
SPECIFICATIONS

CLIA BATHROOM FITTINGS

STAINLESS STEEL

CLIA products are made from stainless steel

RAL 9005 JET BLACK MATTE

All CLIA products are powder coated in RAL 9005 jet black matte with a fine structure. The coating provides an additional protection against corrosion.

FINE STRUCTURED SURFACE

Using a fine structured surface, we transform the products into a sensory experience. Also it makes them robust.

MOUNTING

The delivery includes stainless steel screws and dowls (8x40) for concrete and brick wall.

CLEANING

Use soapy water or mild agents for cleaning. Rinse it with water and dry it with a soft cloth.

CONTENT

CLIA toilet roll holder 1 roll, 2 shelves	4
CLIA toilet roll holder 2 rolls, 1 shelves	5
CLIA reserve toilet paper dispenser 4 rolls	6
CLIA toilet brush set.....	7
CLIA towel board including 5 hooks	8
CLIA towel holder 2 towels.....	9
CLIA hook 2 towels.....	10
CLIA shelf wall with soap shelf, razor holder, 3 hooks.....	11
CLIA shelf corner with soap shelf, razor holder, 2 hooks	12
CLIA bath towel rail 600 including 2 hooks	13
CLIA bath towel rail 800 including 2 hooks	14



CLIA toilet roll holder 1 roll, 2 shelves

776334 100

Production since 2022

Bathroom fittings, design line CLIA

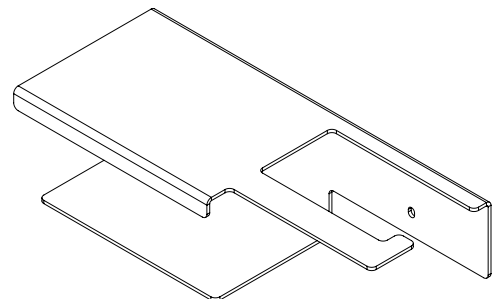
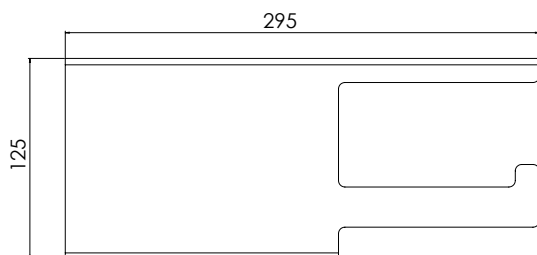
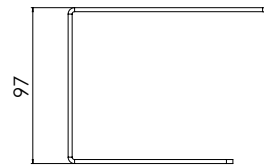
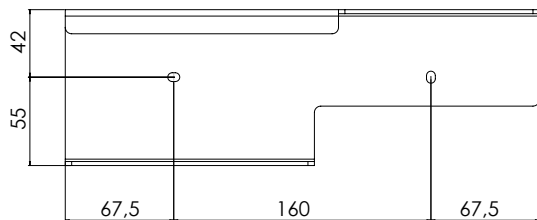
- Toilet paper holder for one roll with two practical storage surfaces
- Made from stainless steel
- Powder coated with RAL 9005 jet black matte, finely structured
- For wall mounting

- Delivery includes stainless steel screws and dowls (8x40)
for concrete and brick wall

- Weight net 1,28 kg
- Weight gross 1,47 kg

Packaging..... Single cardboard box, 330 x 135 x 105 mm

Dimensions





CLIA toilet roll holder 2 rolls, 1 shelf

776334 200

Production since 2022

Bathroom fittings, design line CLIA

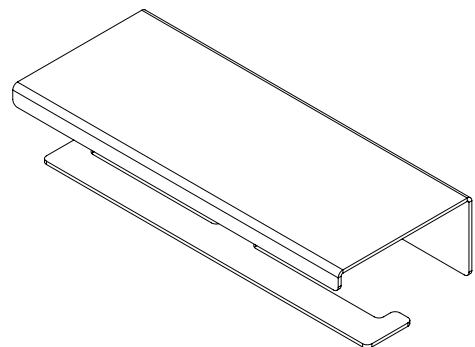
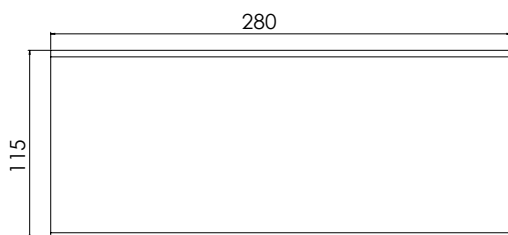
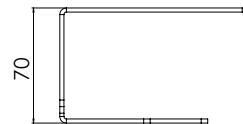
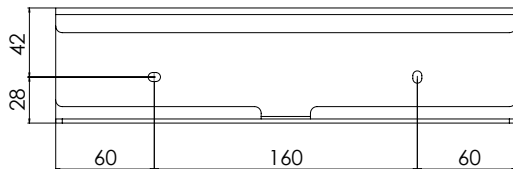
- Toilet paper holder for two rolls with an practical storage surface
- Made from stainless steel
- Powder coated with RAL 9005 jet black matte, finely structured
- For wall mounting

- Delivery includes stainless steel screws and dowls (8x40)
for concrete and brick wall

- Weight net 1,18 kg
- Weight gross 1,37 kg

Packaging..... Single cardboard box, 330 x 135 x 105 mm

Dimensions





CLIA reserve toilet paper dispenser 4 rolls

776590 100

Production since 2022

Bathroom fittings, design line CLIA

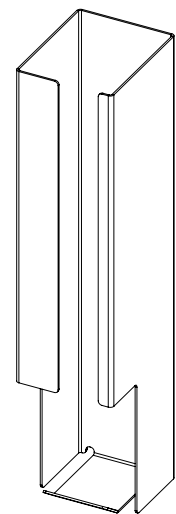
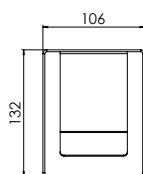
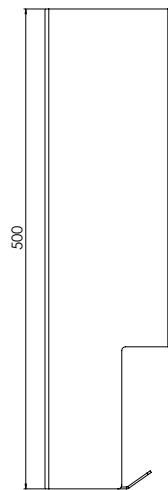
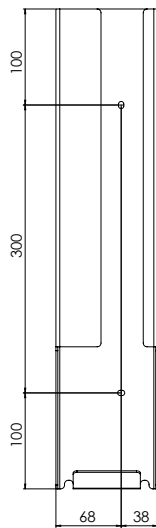
- Practical dispenser for four rolls
- Made from stainless steel
- Powder coated with RAL 9005 jet black matte, finely structured
- For wall mounting

- Delivery includes stainless steel screws and dowls (8x40) for concrete and brick wall

- Weight net3,02 kg
- Weight gross3,13 kg

Packaging..... Single cardboard box, 535 x 140 x 115 mm

Dimensions





CLIA toilet brush set

778594 100

Production since 2022

Bathroom fittings, design line CLIA

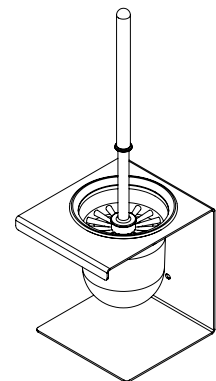
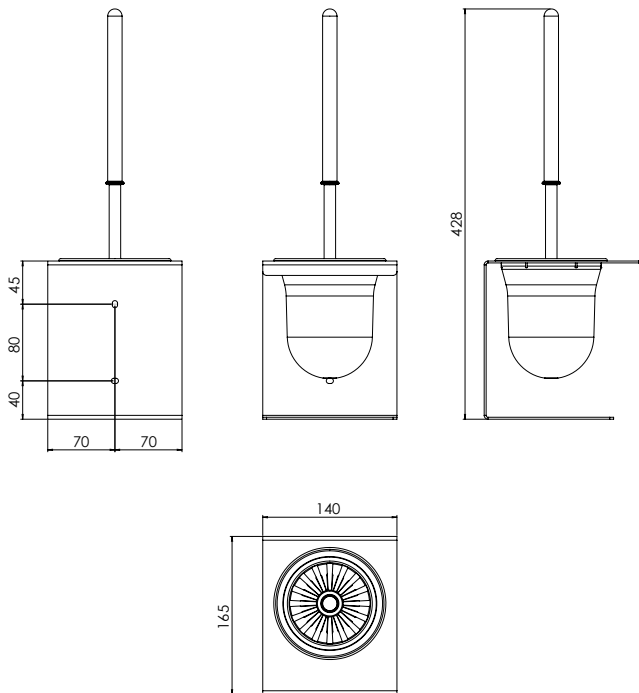
- Toilet brush set inclusive pot and brush
- Pot and brush made from plastics, black
- Stainless steel holder
- Powder coated with RAL 9005 jet black matte, finely structured
- Usable as a wall or standing model

- Delivery includes stainless steel screws and dowls (8x40) for concrete and brick wall

- Weight net 1,12 kg
- Weight gross 1,54 kg

Packaging..... Single cardboard box, 427 x 180 x 183 mm

Dimensions





CLIA towel board including 5 hooks

772799 100

Production since 2022

Bathroom fittings, design line CLIA

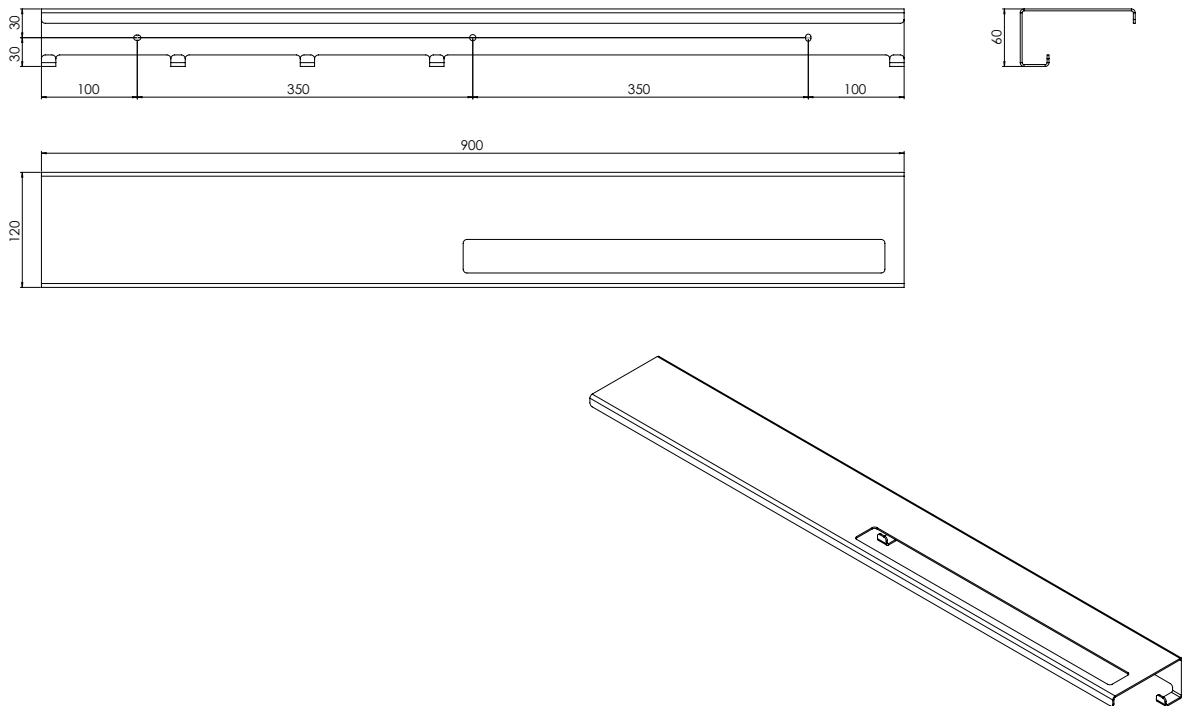
- Large and stable shelf for hand and bath towels
- With five hooks for bathroom utensils
- Made from stainless steel
- Powder coated with RAL 9005 jet black matte, finely structured
- For wall mounting

- Delivery includes stainless steel screws and dowls (8x40) for concrete and brick wall

- Weight net2,29 kg
- Weight gross2,60 kg

Packaging..... Single cardboard box, 1035 x 130 x 65 mm

Dimensions





CLIA towel holder 2 towels

776008 200

Production since 2022

Bathroom fittings, design line CLIA

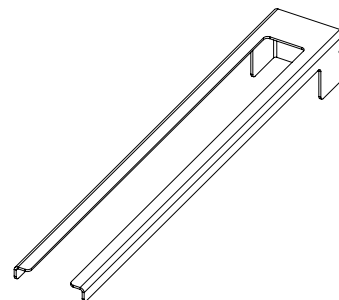
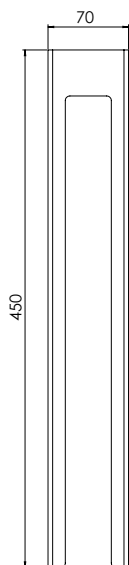
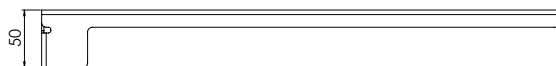
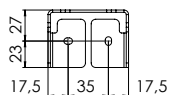
- Towel holder for two hand towels
- Made from stainless steel
- Powder coated with RAL 9005 jet black matte, finely structured
- For wall mounting

- Delivery includes stainless steel screws and dowls (8x40)
for concrete and brick wall

- Weight net0,48 kg
- Weight gross0,59 kg

Packaging..... Single cardboard box, 470 x 75 x 55 mm

Dimensions





CLIA hook 2 towels

775258 200

Production since 2022

Bathroom fittings, design line CLIA

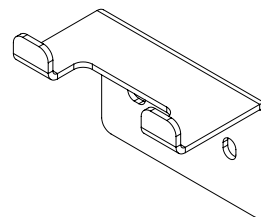
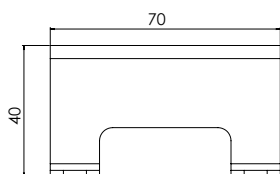
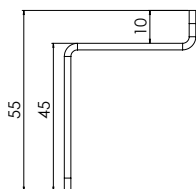
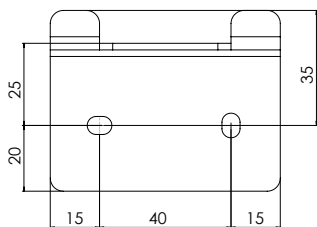
- Two hooks for bath towels
- Made from stainless steel
- Powder coated with RAL 9005 jet black matte, finely structured
- For wall mounting

- Delivery includes stainless steel screws and dowls (8x40)
for concrete and brick wall

- Weight net0,08 kg
- Weight gross0,13 kg

Packaging..... Single cardboard box, 132 x 68 x 50 mm

Dimensions





CLIA shelf wall with soap shelf razor holder, 3 hooks

772798 100

Production since 2022

Bathroom fittings, design line CLIA

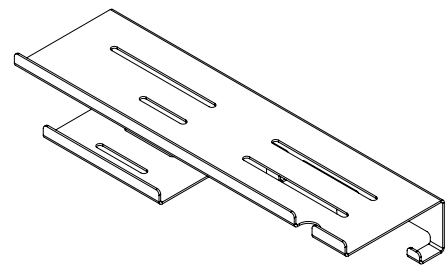
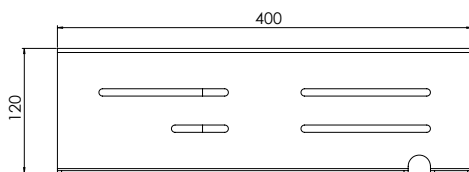
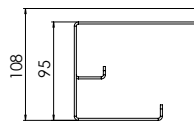
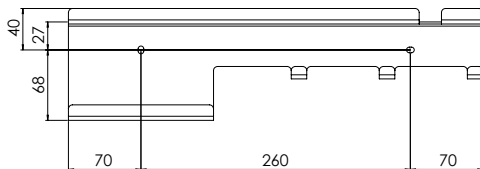
- Shelf wall with soap shelf and razor holder
- With three practical hooks
- Made from stainless steel
- Powder coated with RAL 9005 jet black matte, finely structured
- For wall mounting

- Delivery includes stainless steel screws and dowls (8x40)
for concrete and brick wall

- Weight net 1,35 kg
- Weight gross 1,65 kg

Packaging..... Single cardboard box, 535 x 140 x 115 mm

Dimensions





CLIA shelf corner with soap shelf razor holder, 2 hooks

772798 200

Production since 2022

Bathroom fittings, design line CLIA

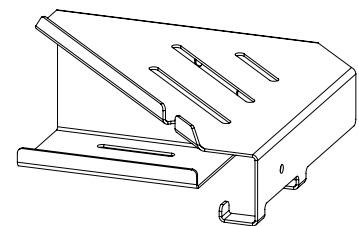
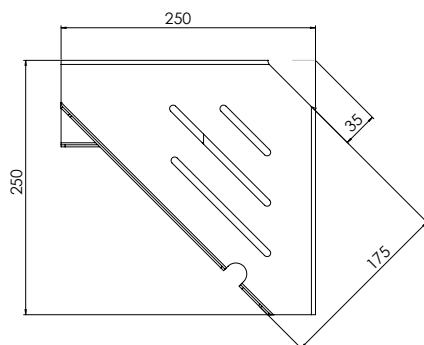
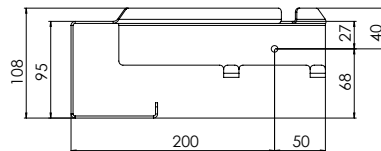
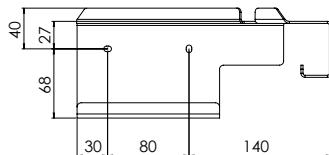
- Shelf corner with soap shelf and razor holder
- With two practical hooks
- Made from stainless steel
- Powder coated with RAL 9005 jet black matte, finely structured
- For wall mounting

- Delivery includes stainless steel screws and dowls (8x40)
for concrete and brick wall

- Weight net 1,21 kg
- Weight gross 1,50 kg

Packaging..... Single cardboard box, 398 x 220 x 110 mm

Dimensions





CLIA bath towel rail 600 including 2 hooks

776009 100

Production since 2022

Bathroom fittings, design line CLIA

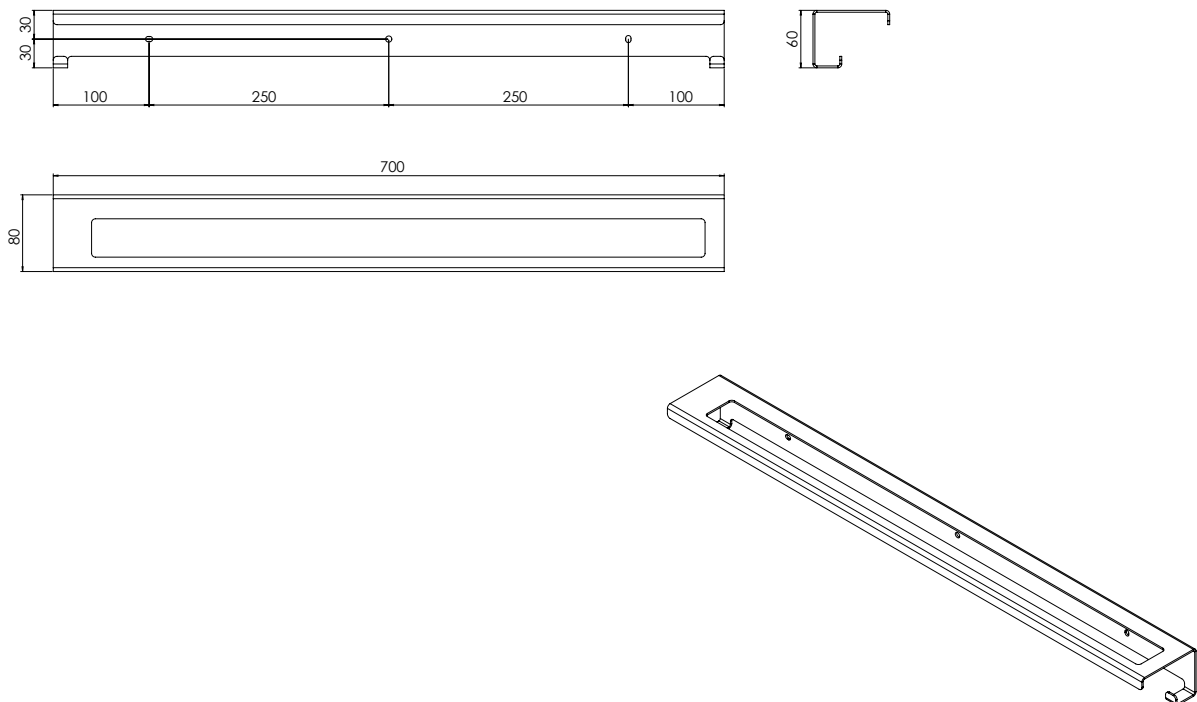
- Provides crease-free drying
- With two practical hooks
- Made from stainless steel
- Powder coated with RAL 9005 jet black matte, finely structured
- For wall mounting

- Delivery includes stainless steel screws and dowls (8x40)
for concrete and brick wall

- Weight net 1,11 kg
- Weight gross 1,39 kg

Packaging..... Single cardboard box, 940 x 110 x 65 mm

Dimensions





CLIA bath towel rail 800 including 2 hooks

776009 180

Production since 2022

Bathroom fittings, design line CLIA

- Provides crease-free drying
- With two practical hooks
- Made from stainless steel
- Powder coated with RAL 9005 jet black matte, finely structured
- For wall mounting

- Delivery includes stainless steel screws and dowls (8x40)
for concrete and brick wall

- Weight net 1,41 kg
- Weight gross 1,70 kg

Packaging..... Single cardboard box, 940 x 110 x 65 mm

Dimensions

